

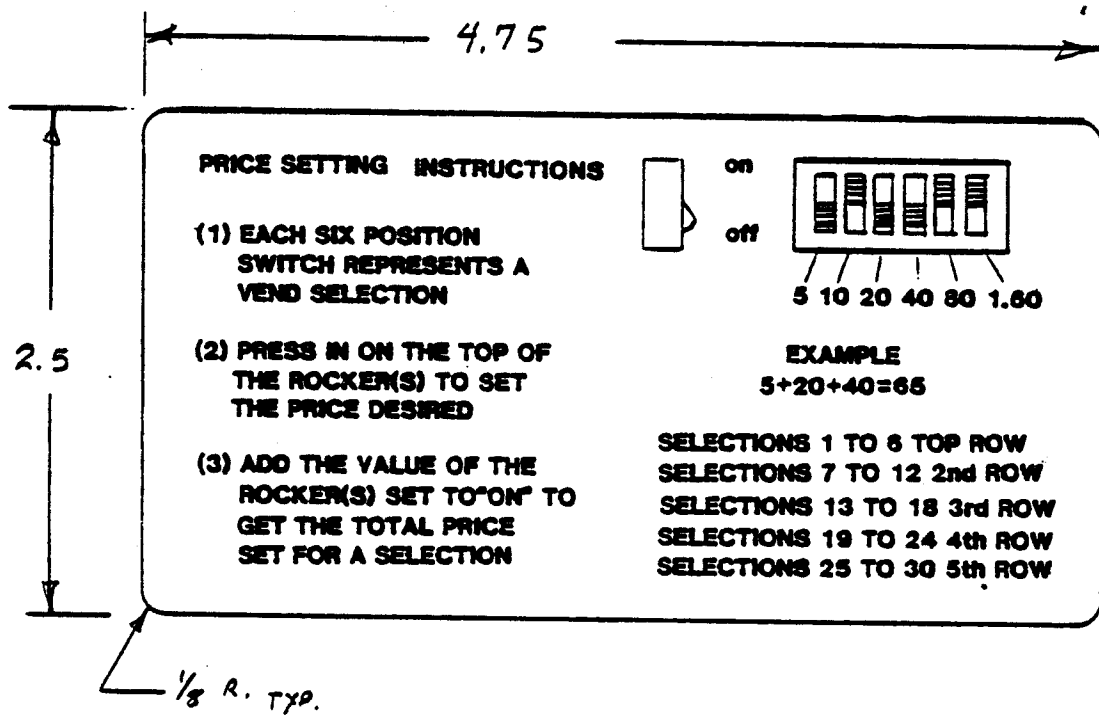


H-30 SERVICE MANUAL SUPPLEMENT to the H-22



INSTALLATION

- Remove outside shipping carton.
- Place machine into position and adjust leveling legs so it is level and aligned with adjacent machines.
- Locate small envelope in delivery compartment inside "Push" door and remove keys.
- Open glass service door with supplied key and remove all internal packing. (There are different numbered keys in envelope - one for product door, one for the back door, and, if so ordered, one for coin bank lock.)
- Remove price stickers from envelope shipped in delivery compartment and select the appropriate ones to match desired pricing of products.
- Peel off the adhesive backing and place selected price stickers on their perspective cover bars.
- Set vend prices:
 - Multi-Price:
 - Locate the large price select board behind sliding door on right inside of cabinet.
 - Each blue block of 6 rocker switches controls the vend price of one selection. The top row of blocks left to right control selections 1 thru 6; second row down controls selections 7 thru 10, etc. through 5 rows for all 30 selections.
 - Number one rocker switch in each block represents the lowest coin denomination the coin changer will accept. Number two rocker switch represents two times this lowest amount; number three rocker switch represents two times the value of number two switch. Example. #1 = 5¢; #2 = 10¢; #3 = 20¢; #4 = 40¢; #5 = 80¢; and #6 = 160¢.
 - Placing the rocker switches in the up position, that is by pushing the number on the switch in, causes the coin changer to require that amount of money before the machine will vend.
 - All rocker switches in this "on" position are added to establish a vend price. Example: #1 = 5¢ and #3 = 20¢. With switches in "on" position, the vend price for that selection is 25¢. Example: #1 = 5¢; #2 = 10¢ and #3 = 20¢; with these switches in the "on" position, vend price for that selection is 35¢.
 - Set all selections at desired price level.



DISPENSERS

FIG. 7 illustrates the dispenser unit used in the H-30. The 3 basic components as labeled in FIG. 7 are:

- (1) Cover Bar
- (2) Spindle conveyor
- (3) Motor Assembly

When a product selection is made (see section E of operation), an electric signal starts the motor, turning the helical conveyor one complete rotation. This operation advances all products forward dispensing the front selection into the delivery compartment.

The cover bar has three functions. It discourages theft through shaking the machine, provides a number on the front tab for product selection with the matching number on the selector switch assembly, and presents a more attractive appearance to the machine by concealing the conveyor.

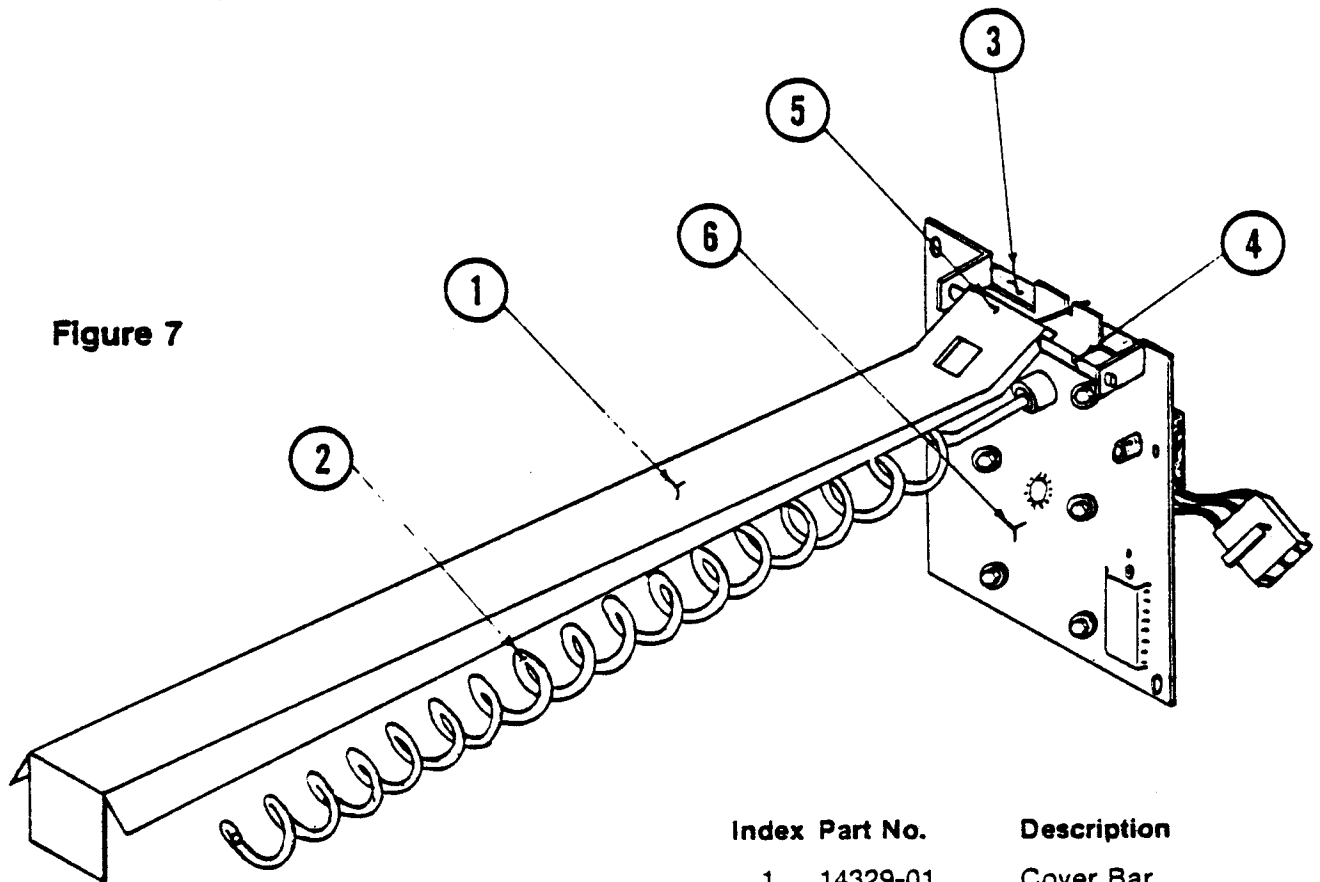
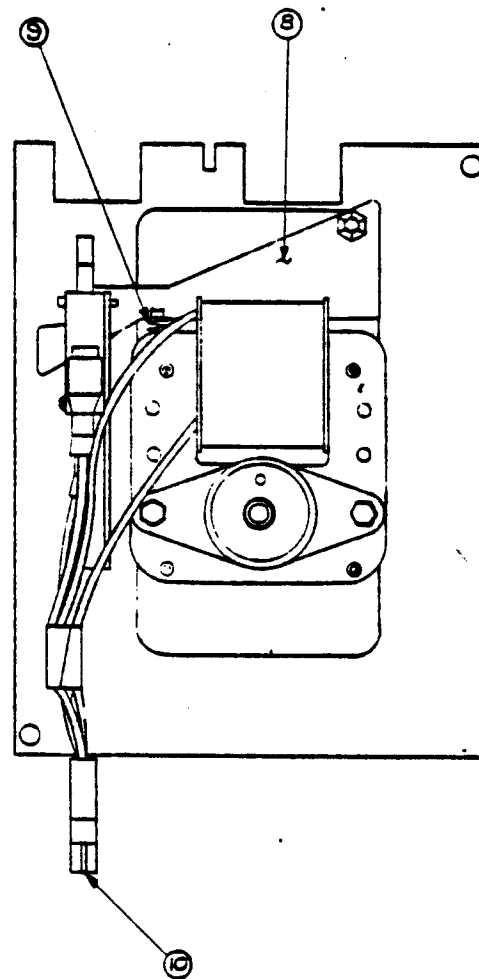
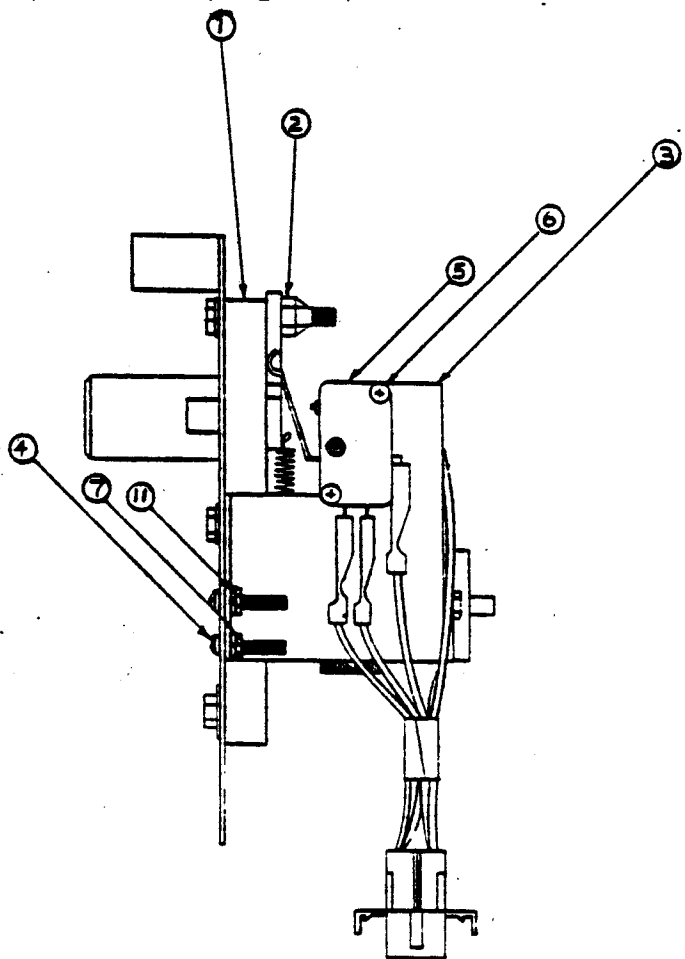


Figure 7

| Index | Part No. | Description |
|-------|----------|--------------------------|
| 1 | 14329-01 | Cover Bar |
| 2 | 10033 | Conveyor, 15 Positions |
| 2 | 10034 | Conveyor, 10 Positions |
| 3 | 10231-01 | Motor Assy.-Single Price |
| | 10231-02 | |
| 3 | 14322-01 | Motor Assy.-4 Price |
| | 14322-02 | |
| 4 | 14343 | Pivot Pin |
| 5 | 14318 | Cover Bar Spring |
| 6 | 13519-01 | Motor Faceplate |
| | 13519-02 | |

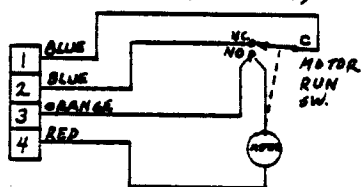
Suffix -01 = White, -02 Putty Grey



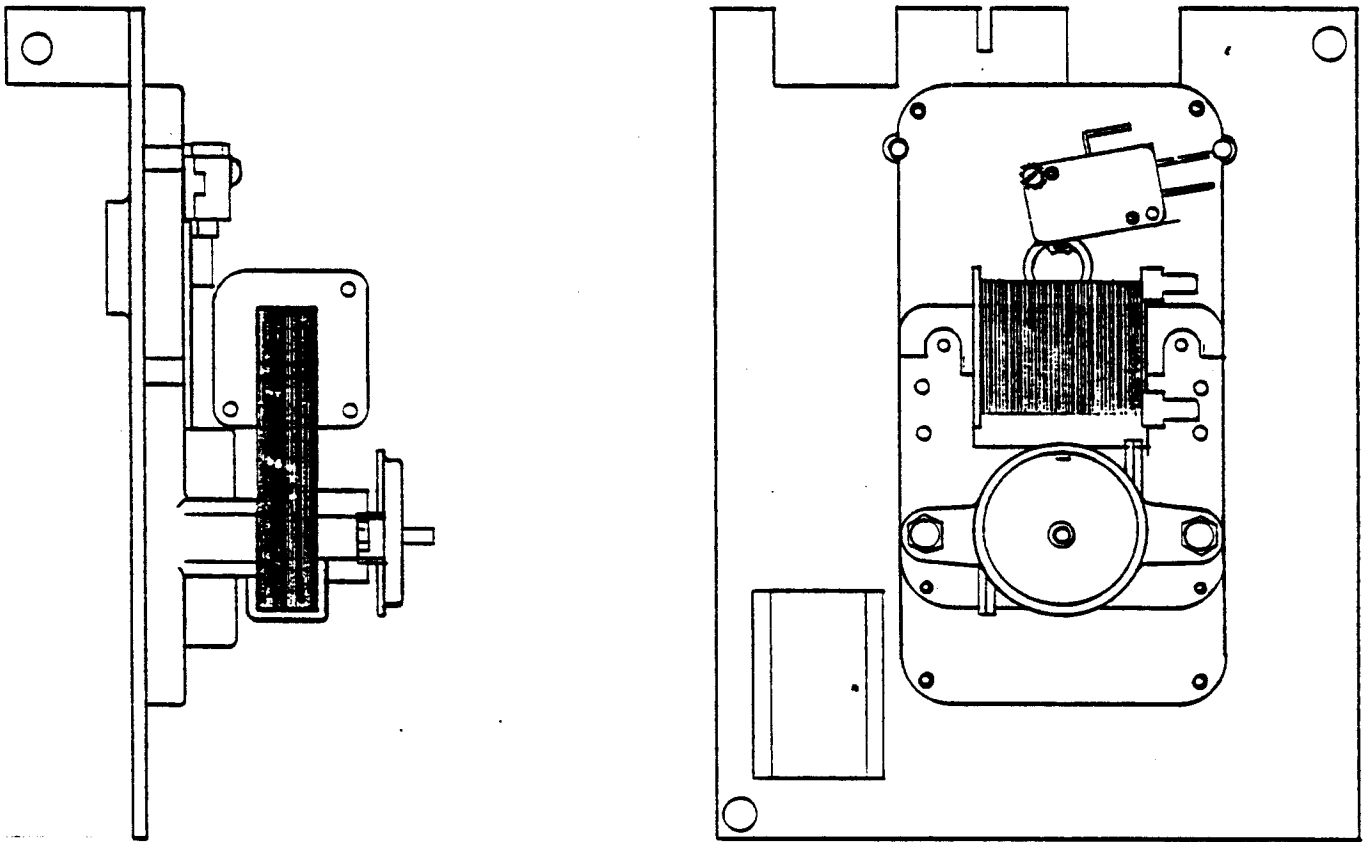
| Item No. | Part No. | Description | No. Req'd | Part No. | * Use Part No. |
|----------|----------|---------------------------------|-----------|------------|-------------------------|
| 1 | * | Motor-Gear Train G.I. (see tab) | 1 | | |
| 2 | A-819 | Palmnut 8-32 (acorn) Style AK | 1 | | |
| 3 | A-14275 | Bracket-Switch | 1 | | |
| 4 | A-16198 | Screw 4-40-5/16" | 2 | | |
| 5 | A-12660 | Switch-Gear Motor | 1 | | |
| 6 | A-13261 | Screw 4-40-5/8" | 2 | | |
| 7 | A-11794 | Nut 4-40 | 2 | | |
| 8 | A-14276 | Cam Follower | 1 | | |
| 9 | A-814 | Spring | 1 | | |
| 10 | A-16179 | Harness-Motor (see note) | 1 | | |
| 11 | A-4527 | Washer-Lock | 2 | C-16174-01 | D-16178-01 (White) |
| 12 | 2114 | Tape | 2" | C-16174-02 | D-16178-02 (Putty Grey) |

NOTE: Item #10 motor harness to be connected as follows:

MODULE WIRING (REF. ONLY)

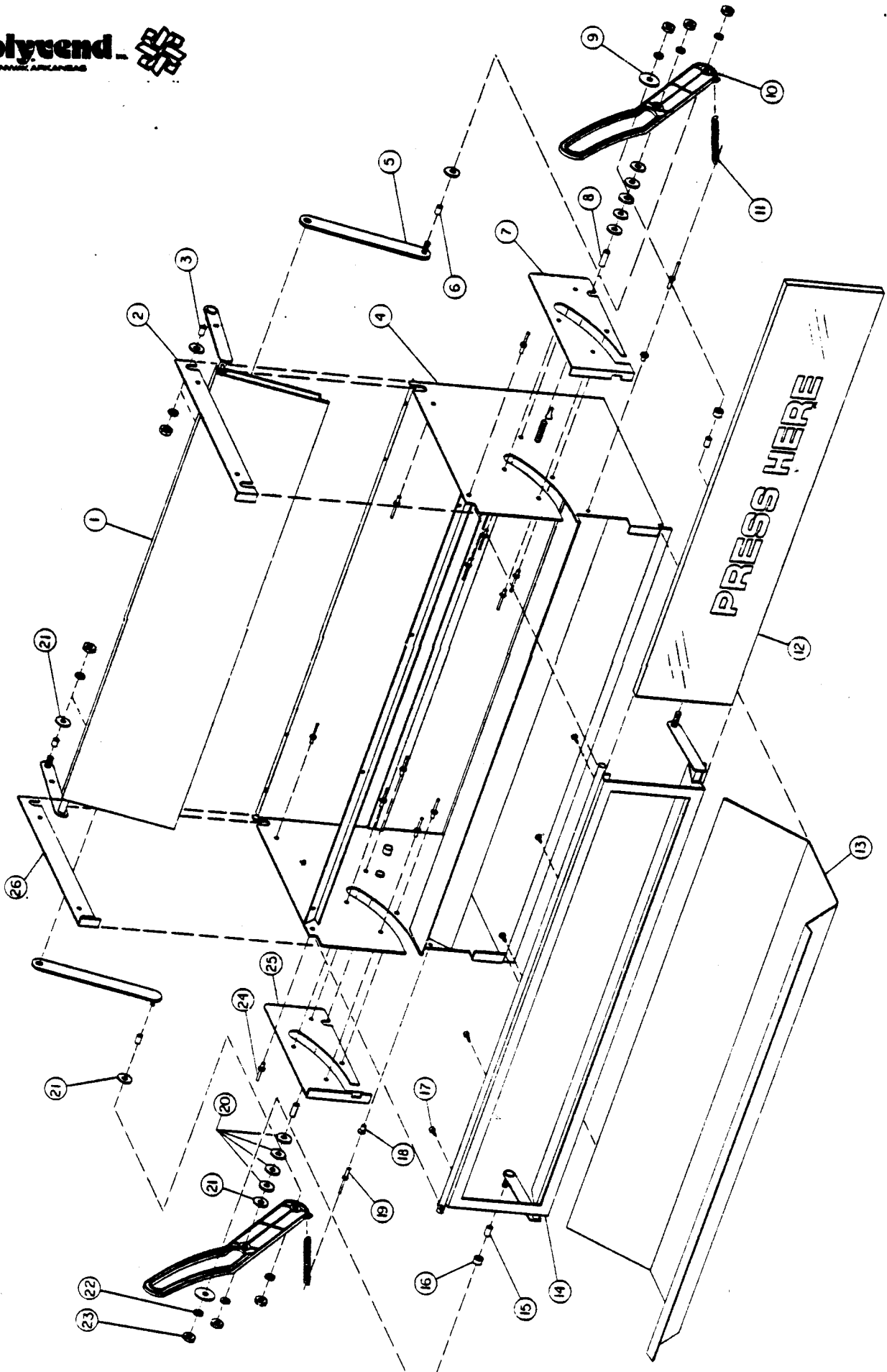


| Pin | Wire Color | Connected To |
|-----|------------|---|
| 3 | Orange | 2 Wires-One to Motor One to Switch N.O. Term |
| 4 | Red | A.C. Motor |
| 1 | Blue | Switch-Common Term |
| 2 | Blue | Switch-Normally Closed Term |



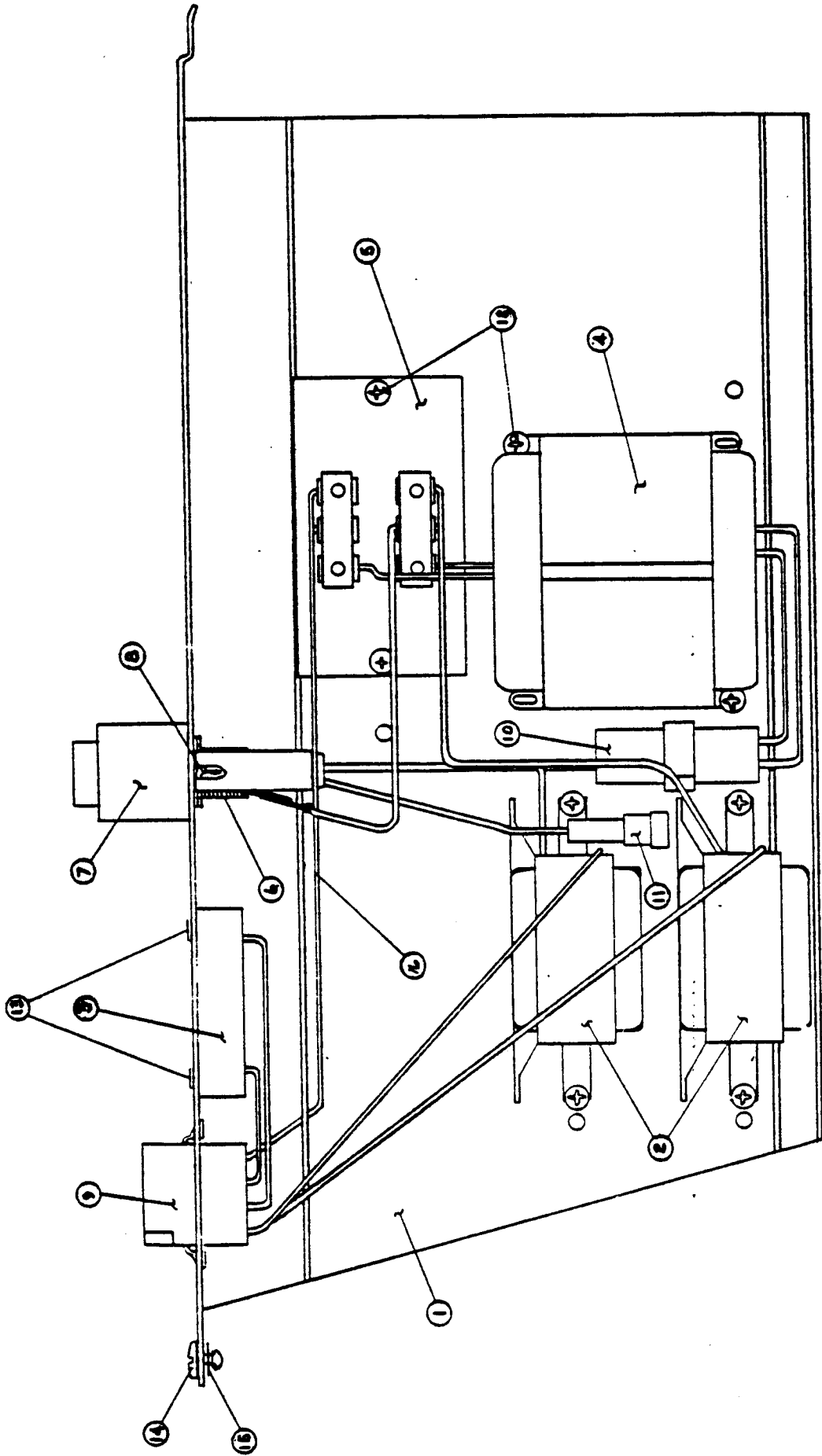
NEW STYLE H-22/H-30 MOTOR

PART NUMBER 16283



DELIVERY COMPARTMENT ASSEMBLY 16160

| ITEM | PART NO. | QTY. | DESCRIPTION |
|-------------|-----------------|-------------|-----------------------------|
| 1 | 16129-01 | 1 | Door WA - Anti-Theft |
| 2 | 16141-02 | 1 | Retainer - Door Rod (Right) |
| 3 | 16152-01 | 2 | Bushing - Arm |
| 4 | 16136-01 | 1 | Compt. WA - Delivery |
| 5 | 16139-01 | 2 | Arm WA - Connecting |
| 6 | 16152-02 | 2 | Bushing - Arm |
| 7 | 16142-02 | 1 | Retainer Pivot Arm (Right) |
| 8 | 16152-03 | 2 | Bushing - Arm |
| 9 | 16154 | 2 | Washer - Flat |
| 10 | 16143 | 2 | Arm - Plastic, Del. Compt. |
| 11 | 611 | 2 | Spring - |
| 12 | 16138-01 | 1 | Door - Del. |
| 13 | 16137 | 1 | Bottom - False |
| 14 | 16151-04 | 1 | Door WA - Push |
| 15 | 16153 | 2 | Bushing - Bushing |
| 16 | 14055 | 2 | Bushing - Bronze |
| 17 | 1298 | 5 | Screw - TP AB Pan #2 |
| 18 | 1745 | 2 | Spacer - Detent Spring |
| 19 | 1642 | 2 | Rivet - Pop |
| 20 | 13398 | 8 | Washer - 5/16 I.D. 3/4 O.D. |
| 21 | 13412 | 6 | Washer - 5/16 I.D. 3/4 O.D. |
| 22 | 2386 | 8 | Lock Washer - Split |
| 23 | 2385 | 8 | Nut - Hex |
| 24 | 729 | 12 | Rivet - Pop |
| 25 | 16142-01 | 1 | Retainer - Pivot Arm (Left) |
| 26 | 16141-01 | 1 | Retainer - Door Rod (Left) |



Power Panel Complete C-12693

| Item No. | Description |
|-----------------|-----------------------------|
| 16234-00 | Changer M-300 |
| 16292 | Decal Selection Numbers |
| 16230-01 | Deflection L.H. |
| 16281-01 | Display Bottom |
| 13063-01 | Escutcheon Plate |
| 16078 | Harness-Jones Plug |
| 12838 | Harness-Sub Main |
| 16289 | Harness-Main Motor |
| 16312 | Harness-Selector Switch |
| 16290-01 | Motor Board |
| 16174-00 | Motor |
| 16283 | Motor (new style) |
| 16325 | P.C. Board Assembly (relay) |
| 16258-01 | Panel R.H. Inner |
| 12839 | Selector Switch |
| 16296 | Service Door |